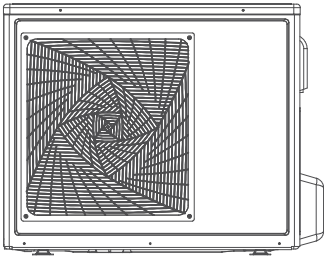
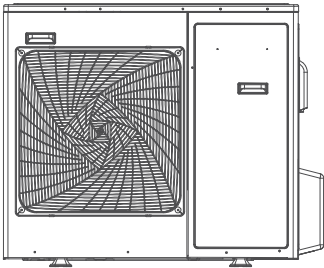


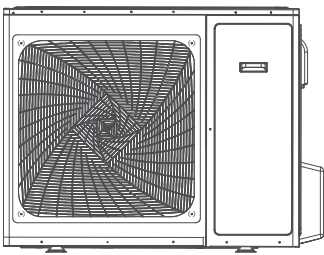
Split system air conditioners INSTALLATION MANUAL



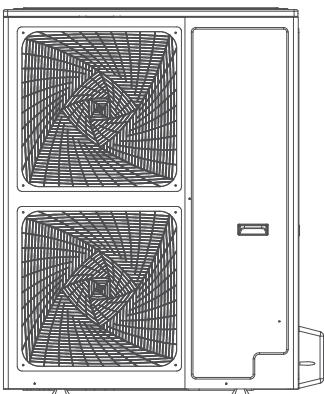
1U24GS1ERA
1U28GS2ERA(S)



1U28HS1ERA(S)
1U36HS1ERA(S)



1U48LS1ERA(S)
1U48LS1ERB(S)
1U48LS1EAB(S)



1U48IS1EAB(S)
1U48IS1ERB(S)
1U60IS1ERA(S)
1U60IS1ERB(S)
1U60IS1EAB(S)
1U60IS2EAB(S)
1U60IS2ERB(S)

Contents

Safety Precautions	3
Read Before Installation	7
Name of Parts	10
Installation Procedure	10
Troubleshooting	18

- Please read this manual carefully before installation.
Keep this operation manual for future reference.

Haier

Haier Industrial Park, No.1 Haier road, Qingdao,P.R.China

EUROPEAN REGULATIONS CONFORMITY FOR THE MODELS

CE

All the products are in conformity with the following European provision:

- Low voltage Directive
- Electromagnetic Compatibility

ROHS

The products are fulfilled with the requirements in the directive 2011/65/EU of the European parliament and of council on the Restriction of the use of Certain Hazardous Substances in Electrical and Electronic Equipment(EU RoHS Directive)

WEEE

In accordance with the directive 2012/19/EU of the European parliament,herewith we inform the consumer about the disposal requirements of the electrical and electronic products.

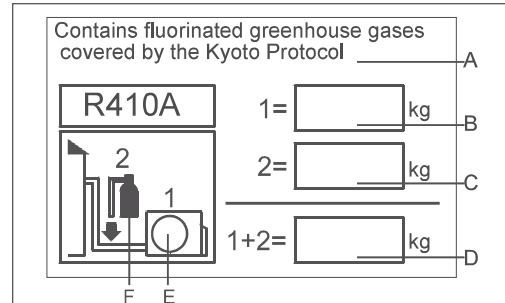
DISPOSAL REQUIREMENTS:



Your air conditioning product is marked with this symbol.This means that electrical and electronic products shall not be mixed with unsorted household waste.Do not try to dismantle the system yourself:the dismantling of the air

conditioning system,treatment of the refrigerant,of oil and of other part must be done by a qualified installer in accordance with relevant local and national legislation.Air conditioners must be treated at a specialized treatment facility for reuse, recycling and recovery.By ensuring this product is disposed of correctly,you will help to prevent potential negative consequences for the environment and humen health.Please contact the installer or local authority for more information. Battery must be removed from the remote controller and disposed of separately in accordance with relevant local and nationl legislation.

IMPORTANT INFORMATION REGARDING THE REFRIGERANT USED



This product contains fluorinated greenhouse gases covered by the Kyoto Protocol.Do not vent into the atmosphere.

Refrigerant type:R410A

GWP : 2088

GWP=global warming potential

Please fill in with indelible ink,

- 1 the factory refrigerant charge of the product
- 2 the additional refrigerant amount charged in the field and
- 1+2 the total refrigerant charge on the refrigerant charge label supplied with the product. The filled out label must be adhered in the proximity of the product charging port(e.g.onto the inside of the stop value cover).

A contains fluorinated greenhouse gases covered by the Kyoto Protocol

B fatory refrigerant charge of the product:see unit name plate

C additional refrigerant amount charged in the field

D total refrigerant charge

E outdoor unit

F refrigerant cylinder and manifold for charging

⚠ WARNING

If the supply cord is damaged, it must be replaced by the manufacturer, its service agent or similarly qualified persons in order to avoid a hazard.

This appliance is not intended for use by persons (including children) with reduced physical, sensory or mental capabilities, or lack of experience and knowledge, unless they have been given supervision or instruction concerning use of the appliance by a person responsible for their safety.

Children should be supervised to ensure that they do not play with the appliance.

This appliance can be used by children aged from 8 years and above and persons with reduced physical, sensory or mental capabilities or lack of experience and knowledge if they have been given supervision or instruction concerning use of the appliance in a safe way and understand the hazards involved. Children shall not play with the appliance. Cleaning and user maintenance shall not be made by children without supervision.

The appliances are not intended to be operated by means of an external timer or separate remote-control system.

Keep the appliance and its cord out of reach of children less than 8 years.

Safety Precautions

Carefully read the following information in order to operate the air conditioner correctly.

Below are listed three kinds of Safety Precautions and Suggestions.

⚠ WARNING Incorrect operations may result in severe consequences of death or serious injuries.

⚠ CAUTION Incorrect operations may result in injuries or machine damages; in some cases may cause serious consequences.

INSTRUCTIONS: These information can ensure the correct operation of the machine.

Symbols used in the illustrations

⊘: Indicates an action that must be avoided.

❗: Indicates that important instructions must be followed.


⚡: Indicates a part which must be grounded.





⚡: Beware of electric shock (This symbol is displayed on the main unit label.)

After reading this handbook, hand it over to those who will be using the unit.

The user of the unit should keep this manual at hand and make it available to those who will be performing repairs or relocating the unit. Also, make it available to the new user when the user changes hands.

Be sure to conform with the following important Safety Precautions.

⚠ WARNING	
<ul style="list-style-type: none"> • If any abnormal phenomena is found (e. g. smell of firing), please cut off the power supply immediately, and contact the dealer to find out the handling method. In such case, to continue using the conditioner will damage the conditioner, and may cause electrical shock or fire hazard. 	 <ul style="list-style-type: none"> • Don't dismantle the outlet of the outdoor unit. The exposure of fan is very dangerous which may harm human beings.
<ul style="list-style-type: none"> • After a long time use of air-conditioner the base should be checked for any damages. If the damaged base is not repaired, the unit may fall down and cause accidents. 	<ul style="list-style-type: none"> • When need maintenance and repairment, call dealer to handle it. Incorrect maintenance and repairment may cause water leak, electrical shock and fire hazard.

⚠ WARNING	
<ul style="list-style-type: none"> • No goods or nobody is permitted to placed on or stand on outdoor unit. The falling of goods and people may cause accidents. 	 <ul style="list-style-type: none"> • Air-conditioner can't be installed in the environment with inflammable gases because the inflammable gases near air-conditioner may cause fire hazard. Please let the dealer be responsible for installing the conditioner. Incorrect installation may cause water leak, electrical shock and fire hazard.
<ul style="list-style-type: none"> • Don't operate the air-conditioner with damp hands. Otherwise it will be shocked. 	 <ul style="list-style-type: none"> • Call the dealer to take measures to prevent the refrigerant from leaking. If conditioner is installed in a small room, be sure to take every measure in order to prevent suffocation accident even in case of refrigerant leakage.
<ul style="list-style-type: none"> • Only use correctly-typed fuse. May not use wire or any other materials replacing fuse, otherwise it may cause faults or fire accidents. 	 <ul style="list-style-type: none"> • When conditioner is installed or reinstalled, the dealer should be responsible for them. Incorrect installation may cause water leaking, electrical shock and fire hazard.
<ul style="list-style-type: none"> • Use discharge pipe correctly to ensure efficient discharge. Incorrect pipe use may cause water leaking. 	<ul style="list-style-type: none"> • Connect earthing wire. Earthing wire should not be connected to the gas pipe, water pipe, lightning rod or phone line, incorrect earthing may cause shock.
<ul style="list-style-type: none"> • Installed electrical-leaking circuit breaker. It easily cause electrical shock without circuit breaker. 	 <p>Earthing</p>

Safety Precautions

⚠ WARNING

- | | |
|---|---|
| <ul style="list-style-type: none"> • Have the unit professionally installed. Improper installation by an unqualified person may result in water leak, electric shock, or fire. • Place the unit on a stable, level surface that withstands the weight of the unit to prevent the unit from tipping over or falling causing injury as a result. • Only use specified cables for wiring. Securely connect each cable, and make sure that the cables are not straining the terminals. Cables not connected securely and properly may generate heat and cause fire. • Take necessary safety measures against typhoons and earthquakes to prevent the unit from falling over. • Do not make any changes or modifications to the unit. In case of problems, consult the dealer. If repairs are not made properly, the unit may leak water and present a risk of electric shock, or it may produce smoke or cause fire. | <ul style="list-style-type: none"> • Be sure to carefully follow each step in this handbook when installing the unit. Improper installation may result in water leak, electric shock, smoke or fire. • Have all electrical work performed by a licensed electrician according to the local regulations and the instructions given in this manual. Secure a circuit designated exclusively to the unit. Improper installation or a lack of circuit capacity may cause the unit to malfunction or present a risk of electric shock, smoke, and fire. • Securely attach the terminal cover(panel) on the unit. If installed improperly, dust and/or water may enter the unit and present a risk of electric shock, smoke or fire. • Only use refrigerant R410A as indicated on the unit when installing or relocating the unit. The use of any other refrigerant or an introduction of air into the unit circuit may cause the unit to run an abnormal cycle and abnormal cycle and cause the unit to burst. |
|---|---|

⚠ WARNING

- | | |
|--|---|
| <ul style="list-style-type: none"> • Do not touch the fins on the heat exchanger with bare hands, for they are sharp and dangerous. • In the event of a refrigerant gas leak, provide adequate ventilation to the room. If leaked refrigerant gas is exposed to a heat source, noxious gases may form. • With All-Fresh type air conditioners, outdoor air may be directly blown into the room upon thermo off. Take this into consideration when installing the unit. Direct exposure to outdoor air may present a health hazard, and it may also cause food items to deteriorate. • Do not try to defeat the safety features of the devices, and do not change the settings. Defeating the safety features on the unit such as the pressure switch and temperature switch or using parts other than the dealer or specialist may result in fire or explosion. • This appliance is not intended for use by persons (including children) with reduced physical, sensory or mental capabilities, or lack of experience and knowledge, unless they have been given supervision or instruction concerning use of the appliance by a person responsible for their safety. | <ul style="list-style-type: none"> • When installing the unit in a small room, safeguard against hypoxia that results from leaked refrigerant reaching the threshold level. Consult the dealer for necessary measures to take. • When relocating the air conditioner, consult the dealer or a specialist. Improper installation may result in water leak, electric shock, or fire. • After completing the service work, check for a refrigerant gas leak. If leaked gas refrigerant is exposed to a heat source such as fan heater, stove, and electric grill, noxious gases may form. • Only use specified parts. Have the unit professionally installed. Improper installation may cause water leak, electric shock, smoke, or fire. • Children should be supervised to ensure that they do not play with the appliance. |
|--|---|

Safety Precautions

Precautions for Handling Units for Use with R410A

⚠ Caution	
<p>Do not use the existing refrigerant piping</p> <ul style="list-style-type: none"> • The old refrigerant and refrigerator oil in the existing piping contain a large amount of chlorine, which will cause the refrigerator oil in the new unit to deteriorate. • R410A is a high-pressure refrigerant, and the use of the existing piping may result in bursting. <p>Keep the inner and outer surfaces of the pipes clean and free of contaminants such as sulfur, oxides, dust/dirt shaving particles, oils, and moisture.</p> <ul style="list-style-type: none"> • Contaminants inside the refrigerant piping will cause the refrigerant oil to deteriorate. 	<p>Use a vacuum pump with a reverse-flow check valve.</p> <ul style="list-style-type: none"> • If other types of valves are used, the vacuum pump oil will flow back into the refrigerant cycle and cause the refrigerator oil to deteriorate. <p>Do not use the following tools that have been used with the conventional refrigerants. Prepare tools that are for exclusive use with R410A. (Gauge manifold, charging hose, gas leak detector, reverse-flow check valve, refrigerant charge base, vacuum gauge, and refrigerant recovery equipment.)</p> <ul style="list-style-type: none"> • If refrigerant and/or refrigerant oil left on these tools are mixed in with R410, or if water is mixed with R410A, it will cause the refrigerant to deteriorate. • Since R410A does not contain chlorine, gas-leak detectors for conventional refrigerators will not work.

⚠ Caution	
<p>Store the piping to be used during installation indoors, and keep both ends of the piping sealed until immediately before brazing. (Keep elbows and other joints wrapped in plastic.)</p> <ul style="list-style-type: none"> • If dust, dirt, or water enters the refrigerant cycle, it may cause the oil in the unit to deteriorate or may cause the compressor to malfunction. <p>Use a small amount of ester oil, ether oil, or alkylbenzene to coat flares and flange connections.</p> <ul style="list-style-type: none"> • A large amount of mineral oil will cause the refrigerating machine oil to deteriorate. <p>Use liquid refrigerant to charge the system.</p> <ul style="list-style-type: none"> • Charge the unit with gas refrigerant will cause the refrigerant in the cylinder to change its composition and will lead to a drop in performance 	<p>Do not use a charging cylinder.</p> <ul style="list-style-type: none"> • The use of charging cylinder will change the composition of the refrigerant and lead to power loss. <p>Exercise special care when handling the tools.</p> <ul style="list-style-type: none"> • An introduction of foreign objects such as dust, dirt or water into the refrigerant cycle will cause the refrigerating machine oil to deteriorate. <p>Only use R410A refrigerant.</p> <ul style="list-style-type: none"> • The use of refrigerants containing chlorine (i.e. R22) will cause the refrigerant to deteriorate.

Before Installing the Unit

⚠ Caution	
<p>Do not install the unit in a place where there is a possibility of flammable gas leak.</p> <ul style="list-style-type: none"> • Leaked gas accumulated around the unit may start a fire. <p>Do not use the unit to preserve food, animals, plants, artifacts, or for other special purposes.</p> <ul style="list-style-type: none"> • The unit is not designed to provide adequate conditions to preserve the quality of these items. <p>Do not use the unit in an unusual environment</p> <ul style="list-style-type: none"> • The use of the unit in the presence of a large amount of oil, steam, acid, alkaline solvents or special types of sprays may lead to a remarkable drop in performance and/or malfunction and presents a risk of electric shock, smoke, or fire. • The presence of organic solvents, corroded gas (such as ammonia, sulfur compounds, and acid may cause gas or water leak.) 	<p>When installing the unit in a hospital, take necessary measures against noise.</p> <ul style="list-style-type: none"> • High-frequency medical equipment may interfere with the normal operation of the air conditioning unit or the air conditioning unit may interfere with the normal operation of the medical equipment <p>Do not place the unit on or over things that may not get wet.</p> <ul style="list-style-type: none"> • When humidity level exceeds 80% or when the drainage system is clogged, indoor units may drip water. • Installation of a centralized drainage system for the outdoor unit may also need to be considered to prevent water drips from the outdoor units.

Safety Precautions

Before Installing (Relocating) the Unit or Performing Electric Work

⚠ Caution

Ground the unit.

- Do not connect the grounding on the unit to gas pipes, water pipes, lightning rods, or the grounding terminals of telephones. Improper grounding presents a risk of electric shock, smoke, fire, or the noise caused by improper grounding may cause the unit to malfunction.

Make sure the wires are not subject to tension.

- If the wires are too taut, they may break or generate heat and/or smoke and cause fire.

Install a breaker for current leakage at the power source to avoid the risk of electric shock.

- Without a breaker for current leakage, there is a risk of electric shock, smoke or fire.

Use breakers and fuses (electrical current breaker, remote switch<switch+Type-B fuse>, molded case circuit breaker) with a proper current capacity.

- The use of large-capacity fuses, steel wire, or copper wire may damage the unit or cause smoke or fire.

Do not spray water on the air conditioners or immerse the air conditioners in water.

- Water on the unit presents a risk of electric shock.

Periodically check the platform on which is placed for damage to prevent the unit from falling.

- If the unit is left on a damaged platform, it may topple over, causing injury.

When installing draining pipes, follow the instructions in the manual, and make sure that they properly drain water so as to avoid dew condensation.

- If not installed properly, they may cause water leaks and damage the furnishings.

Properly dispose of the packing materials.

- Things such as nails may be included in the package. Dispose of them properly to prevent injury.
- Plastic bags present a choking hazard to children. Tear up the plastic bags before disposing of them to prevent accidents.

Before the Test Run

⚠ Caution

Do not operate switches with wet hands to avoid electric.

Do not touch the refrigerant pipes with bare hands during and immediately after operation.

- Depending on the state of the refrigerant in the system, certain parts of the unit such as the pipes and compressor may become very cold or hot and may subject the person to frost bites or burning.

Do not operate the unit without panels and safety guards in their proper places.

- They are there to keep the users from injury from accidentally touching rotating, high-temperature or high-voltage parts.

Do not turn off the power immediately after stopping the unit.

- Allow for at least five minutes before turning off the unit, otherwise the unit may leak water or experience other problems.

Do not operate the unit without air filters.

- Dust particles in the air may clog the system and cause malfunction.

Read Before Installation

Items to Be Checked

- (1). Verify the type of refrigerant used by the unit to be serviced. Refrigerant Type: R410A
- (2). Check the symptom exhibited by the unit to be serviced. Look in this service handbook for symptoms relating to the refrigerant cycle.
- (3). Be sure to carefully read the safety precautions at the beginning of this document.
- (4). If there is a gas leak or if the remaining refrigerant is exposed to an open flame, a noxious gas hydrofluoric acid may form. Keep workplace well ventilated.

CAUTION

- Install new pipes immediately after removing old ones to keep moisture out of the refrigerant circuit.
- Chloride in some types of refrigerants such as R22 will cause the refrigerating machine oil to deteriorate.

Necessary Tools and Materials

Prepare the following tools and materials necessary for installing and servicing the unit.
Necessary tools for use with R410A(Adaptability of tools that are for use with R22 and R407C).

1. To be used exclusively with R410A (Not to be used if used with R22 or R407C)

Tools/Materials	Use	Notes
Gauge Manifold	Evacuating,refrigerant charging	5.09MPa on the High-pressure side.
Charging Hose	Evacuating, refrigerant charging	Hose diameter larger than the concentional ones.
Refrigerant Recovery Equipment	Refrigerant recovery	
Refrigerant Cylinder	Refrigerant charging	Write down the refrigerant type. Pink in color at the top of the cylinder.
Refrigerant Cylinder Charging Port	Refrigerant charging	Hose diameter larger than the conventional ones.
Flare Nut	Connecting the unit to piping	Use Type-2 Flare nuts.

2. Tools and materials that may be used with R410 with some restrictions

Tools/Materials	Use	Notes
Gas leak detector	Detection of gas leaks	The ones for HFC type refrigerant may be used.
Vacuum Pump	Vacuum drying	May be used if a reverse flow check adaptor is attached.
Flare Tool	Flare machining of piping	Chages have been made in the flare machining dimension.Refer to the next page.
Refrigerant Recovery Equipment	Recovery of refrigerant	May be used if designed for use with R410A.

3. Tools and materials that are used with R22 or R407C that can also be used with R410A

Tools/Materials	Use	Notes
Vacuum Pump with a Check Valve	Vacuum drying	
Bender	Bending pipes	
Torque Wrench	Tightening flare nuts	Only $\phi 12.70$ (1/2") and $\phi 15.88$ (5/8") have a larger flare machining dimension.
Pipe Cutter	Cutting pipes	
Welder and Nitrogen Cylinder	Welding pipes	
Refrigerant Charging Meter	Refrigerant charging	
Vacuum Gauze	Checking vacuum degree	

4. Tool and materials that must not used with R410A

Tools/Materials	Use	Notes
Charging Cylinder	Refrigerant Charging	Must not be used with R410-type units.

Tools for R410A must be handled with special care, and keep moisture and dust from entering the cycle.

Read Before Installation

Piping Materials

Types of Copper Pipes (Reference)

Maximum Operation Pressure	Applicable Refrigerants
3.4MPa	R22, R407C
4.15MPa	R410A

- Use pipes that meet the local standards.

Piping Materials/Radial Thickness

Use pipes made of phosphorus deoxidized copper.

Since the operation pressure of the units that use R410A is higher than that of the units for use with R22, use pipes with at least the radial thickness specified in the chart below. (Pipes with a radial thickness of 0.7mm or less may not be used.)

Size(mm)	Size(inch)	Radial Thickness(mm)	Type
φ 6.35	1/4"	0.8t	Type-O pipes
φ 9.52	3/8"	0.8t	
φ 12.7	1/2"	0.8t	
φ 15.88	5/8"	1.0t	
φ 19.05	3/4"	1.0t	Type-1/2H or Hpipes

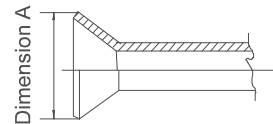
- Although it was possible to use type-O for pipes with a size of up to φ 19.05(3/4") with conventional refrigerants, use type-1/2H pipes for units that use R410A. (Type-O pipes may be used if the pipe size is φ19.05 and the radial thickness is 1.2t.)
- The table shows the standards in Japan. Using this table as a reference, choose pipes that meet the local standards.

Flare Machining (type-O and OL only)

The flare machining dimensions for units that use R410A is larger than those for units that use R22 in order to increase air tightness.

Flare Machining Dimension(mm)

External dimension of pipes	Size	Dimension A	
		R410A	R22
φ6.35	1/4"	9.1	9.0
φ9.52	3/8"	13.2	13.0
φ12.7	1/2"	16.6	16.2
φ15.88	5/8"	19.7	19.4
φ19.05	3/4"	24.0	23.3



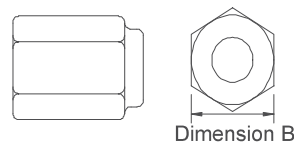
If a clutch type flare tool is used to machine flares on units that use R410A, make the protruding part of the pipe between 1.0 and 1.5mm. Copper pipe gauge for adjusting the length of pipe protrusion is useful.

Flare Nut

Type-2 flare nuts instead of type-1 nuts are used to increase the strength. The size of some of the flare nuts have also been changed.

Flare nut dimension(mm)

External dimension of pipes	Size	Dimension B	
		R410A(Type2)	R22(Type1)
φ6.35	1/4"	17.0	17.0
φ9.52	3/8"	22.0	22.0
φ12.7	1/2"	26.0	24.0
φ15.88	5/8"	29.0	27.0
φ19.05	3/4"	36.0	36.0

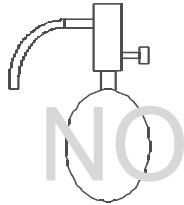


- The table shows the standards in Japan. Using this table as a reference, choose pipes that meet the local standards.

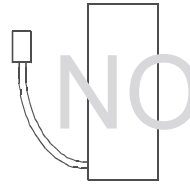
Read Before Installation

Air Tightness Test

No changes from the conventional method. Note that a refrigerant leakage detector for R22 or R407C cannot detect R410A leakage.



Halide torch



R22 or R407C leakage detector

Items to be strictly observed :

1. Pressurize the equipment with nitrogen up to the design pressure and then judge the equipment's air tightness, taking temperature variations into account.
2. When investigating leakage locations using a refrigerant, be sure to use R410A.
3. Ensure that R410A is in a liquid state when charging.

Reasons:

Use of oxygen as the pressurized gas may cause an explosion.

Charging with R410A gas will lead the composition of the remaining refrigerant in the cylinder to change and then this refrigerant can not be used.

Vacuumping

1. Vacuum pump with check valve

A vacuum pump with a check valve is required to prevent the vacuum pump oil from flowing back into the refrigerant circuit when the vacuum pump power is turned off (power failure). It is also possible to attach a check valve to the actual vacuum pump afterwards.

2. Standard degree of vacuum for the vacuum pump

Use a pump which reaches 65Pa or below after 5 minutes of operation.

In addition, be sure to use a vacuum pump that has been properly maintained and oiled using the specified oil. If the vacuum pump is not properly maintained, the degree of vacuum may be too low.

3. Required accuracy of the vacuum gauge

Use a vacuum gauge that can measure up to 650Pa. Do not use a general gauge manifold since it cannot measure a vacuum of 650Pa.

4. Evacuating time

Evacuate the equipment for 1 hour after 650Pa has been reached.

After envacuating, leave the equipment for 1 hour and make sure the that vacuum is not lost.

5. Operating procedure when the vacuum pump is stopped

In order to prevent a backflow of the vacuum pump oil, open the relief valve on the vacuum pump side or loosen the charge hose to drawn in air before stopping operation. The same operating procedure should be used when using a vacuum pump with a check valve.

Charging Refrigerant

R410A must be in a liquid state when charging.

Reasons:

R410A is a pseudo-azeotropic refrigerant (boiling point R32= -52°C , R125= -49°C) and can roughly be handled in the same way as R22; however, be sure to fill the refrigerant from the liquid side, for doing so from the gas side will somewhat change the composition of the refrigerant in the cylinder.

Note

- In the case of a cylinder with a syphon, liquid R410A is charged without turning the cylinder up side down. Check the type of cylinder before charging.

Remedies to be taken in case of a refrigerant leak

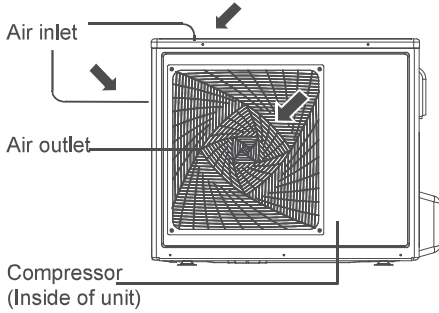
When refrigerant leaks, additional refrigerant may be charged. (Add the refrigerant from the liquid side)

Characteristics of the Conventional and the New Refrigerants

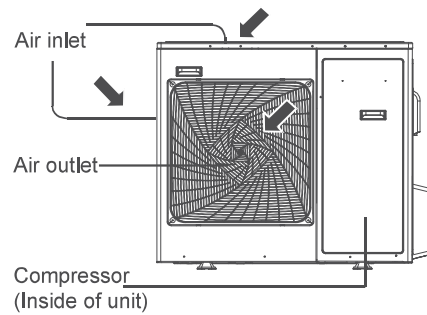
- Because R410A is a simulated azeotropic refrigerant, it can be handled in almost the same mammer as a single refrigerant such as R22. However, if the refrigerant is removed in the vapor phase, the composition of the refrigerant in the cylinder will somewhat change.
- Remove the refrigerant in the liquid phase. Additional refrigerant may be added in case of a refrigerant leak.

Name of Parts

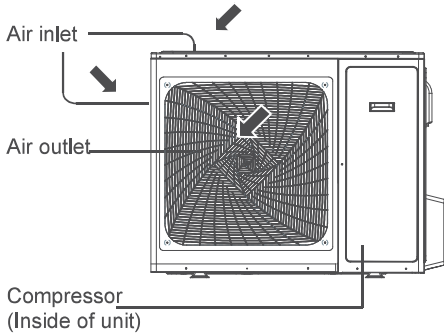
1U24GS1ERA 1U28GS2ERA(S)



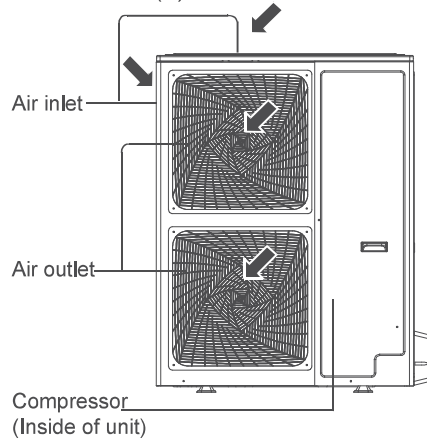
1U28HS1ERA(S) 1U36HS1ERA(S)



1U48LS1ERA(S) 1U48LS1ERB(S) 1U48LS1EAB(S)



1U48IS1EAB(S) 1U48IS1ERB(S) 1U60IS1ERA(S)
1U60IS1ERB(S) 1U60IS1EAB(S) 1U60IS2EAB(S)
1U60IS2ERB(S)



Installation Procedure

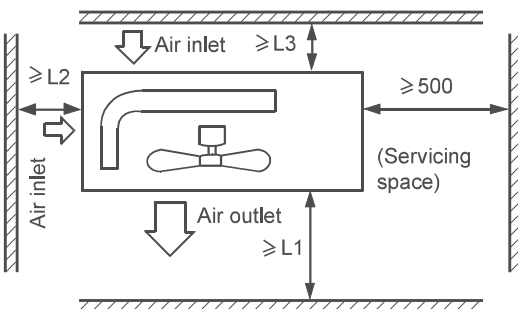
Installation of Outdoor Unit

1. Selection of the place of installation

Select the place of installation satisfying the following conditions and, at the same time, obtain a consent from the client or user.

- Place where air circulates.
- Place free from heat radiation from other heat sources.
- Place where drain water may be discharged.
- Place where noise and hot air may not disturb the neighborhood.
- Place where there is not heavy snowfall in the winter time.
- Place where obstacles do not exist near the air inlet and air outlet .
- Place where the air outlet may not be exposed to a strong wind.
- Place surrounded at four sides are not suitable for installation. A 1m or more of overhead space is needed for the unit.
- Avoid mounting guide-louvers to the place where short-circuit is a possibility.
- When installing several units, secure sufficient suction space to avoid short circuiting.

Open space requirement around the unit



Distance	Case I	Case II	Case III
L1	open	open	500 mm
L2	300 mm	300 mm	open
L3	150 mm	300 mm	150 mm

Procedure for Selecting the Location

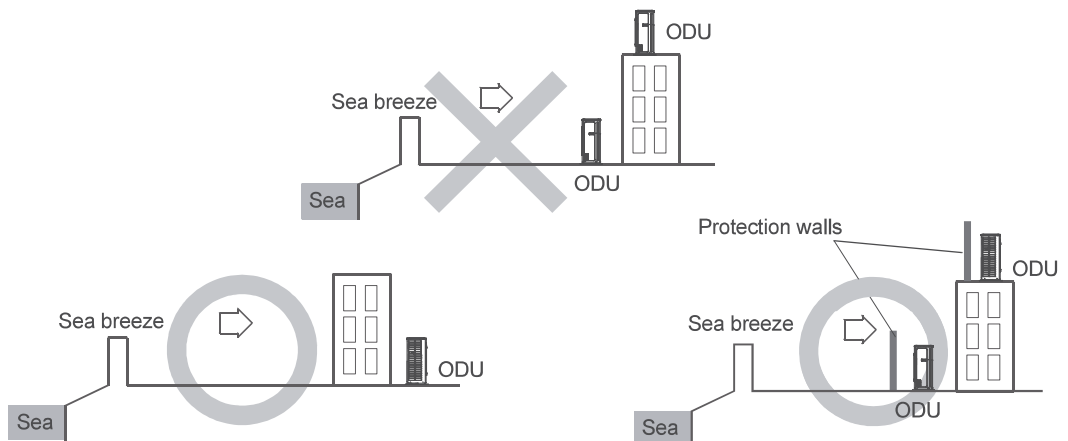
- 1) Choose a place solid enough to bear the weight and vibration of the unit, where the operation noise will not be amplified.
- 2) Choose a location where the hot air discharged from the unit or the operation noise, will not cause a nuisance to the neighbors of the user.
- 3) Avoid places near a bedroom and the like, so that the operation noise will cause no trouble.
- 4) There must be sufficient space for carrying the unit into and out of the site.
- 5) There must be sufficient space for air passage and no obstructions around the air inlet and the air outlet.
- 6) The site must be free from the possibility of flammable gas leakage in a nearby place.

Locate the unit so that the noise and the discharged hot air will not annoy the neighbors.

- 7) Install units, power cords and inter-unit cables at least 10ft away from television and radio sets. This is to prevent interference to images and sounds. (Noises may be heard even if they are more than 10ft away depending on radio wave conditions.)
- 8) In coastal areas or other places with salty atmosphere of sulfate gas, corrosion may shorten the life of the air conditioner.
- 9) Since drain flows out of the outdoor unit, do not place under the unit anything which must be kept away from moisture.
- 10) On a flat surface that does not collect rain water.
- 11) Away from strong wind.
- 12) Away from direct exposure to rain or snow.
- 13) Away from sea breeze.
- 14) Away from inflammable materials.

NOTE:

- 1) Cannot be installed hanging from ceiling or stacked.
- 2) If installing on a high place such as a roof, with a fence or guard rail around it.
- 3) If there is a potential for accumulated snow to block the air inlet or heat exchanger, install the unit on a higher base.
- 4) R-410A refrigerant is a safe, nontoxic and nonflammable refrigerant. However, if there is a concern about a dangerous level of refrigerant concentration in the case of refrigerant leakage, add extra ventilation.
- 5) Avoid installing the outdoor unit where corrosive gases, such as sulfur oxides, ammonia, and sulfurous gas, are produced. If unavoidable, consult with an installation specialist about using a corrosion-proof or anti-rust additive to protect the unit coils.
- 6) For seacoast applications, block the unit from direct exposure to sea breeze by installing the unit behind a structure (such as a building) or a protective wall that is 1.5 times higher than the unit, leaving 28 in. (700 mm) of space between the wall and unit for air circulation. Consult an installation expert about taking anti-corrosion measures, such as removing salinity on the heat exchanger and applying a rust inhibitor more frequently than once a year.



Note :

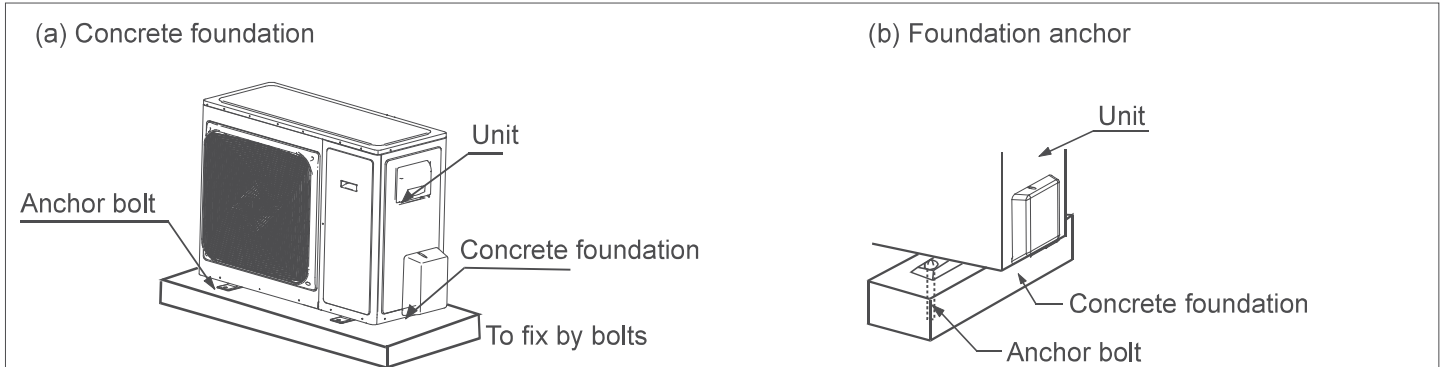
- (1) Fix the parts with screws.
- (2) Don't intake the strong wind directly to the outlet air-flow hole.
- (3) A one meter distance should be kept from the unit top.
- (4) Don't block the surroundings of the unit with sundries.
- (5) If the outdoor unit is installed in a place that is exposed to the wind, install the unit so that the outlet grid is NOT pointing in the direction of the wind.



2. Installation of outdoor unit

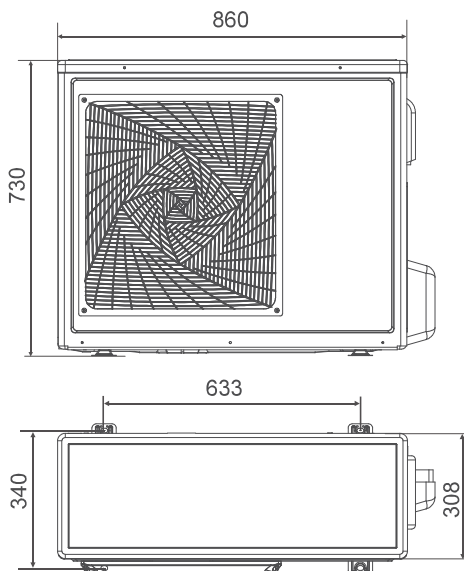
Fix the unit on the foundation in a proper way according to the condition of the installation place, referring to the following information.

- Give enough room for the concrete foundation to fix by anchor bolts.
- Place the concrete foundation deep enough.
- Install the unit so that the angle of inclination must be less than 3 degrees.

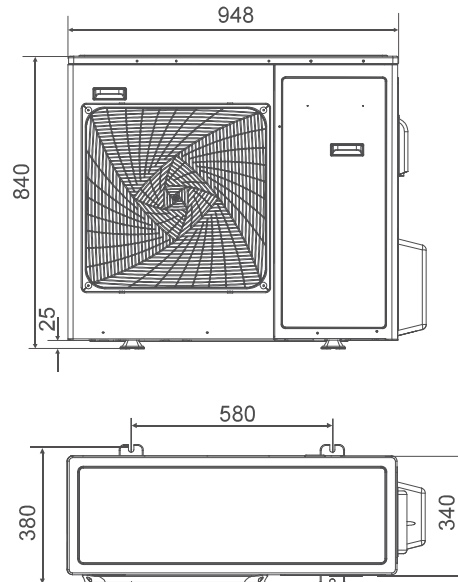


3. Installation dimension (Unit:mm)

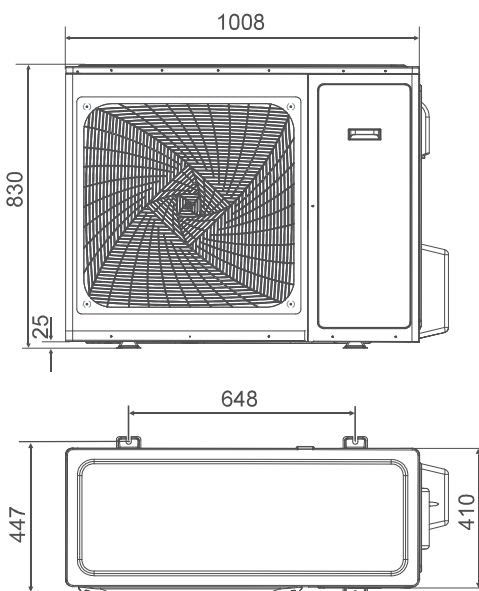
1U24GS1ERA 1U28GS2ERA(S)



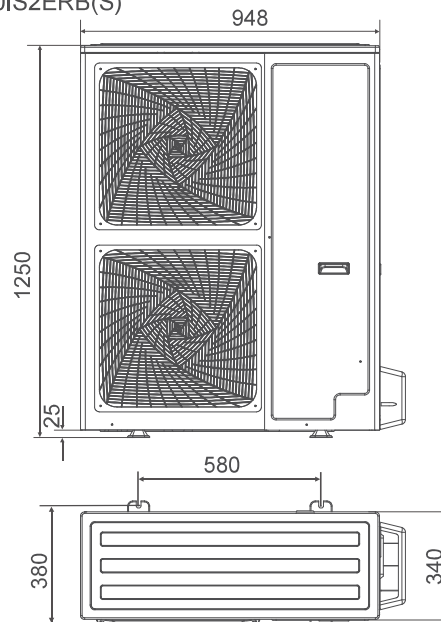
1U28HS1ERA(S) 1U36HS1ERA(S)



1U48LS1ERA(S) 1U48LS1ERB(S) 1U48LS1EAB(S)

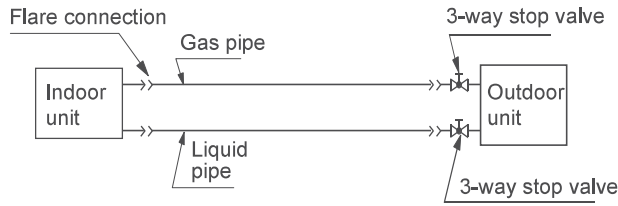


1U48IS1EAB(S) 1U48IS1ERB(S) 1U60IS1ERA(S)
1U60IS1ERB(S) 1U60IS1EAB(S) 1U60IS2EAB(S)
1U60IS2ERB(S)



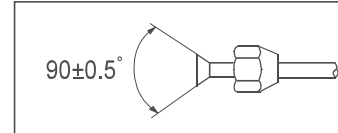
1. Piping diagram for single split

1U24GS1ERA 1U28GS2ERA(S) 1U28HS1ERA(S) 1U36HS1ERA(S) 1U48LS1ERA(S) 1U48LS1ERB(S) 1U48LS1EAB(S)
 1U48IS1EAB(S) 1U48IS1ERB(S) 1U60IS1ERA(S) 1U60IS1ERB(S) 1U60IS1EAB(S) 1U60IS2EAB(S) 1U60IS2ERB(S)



2. Piping size for single split

1U24GS1ERA 1U28GS2ERA(S) 1U28HS1ERA(S) 1U36HS1ERA(S)	Liquid pipe	ϕ 9.52x0.8mm
	Gas pipe	ϕ 15.88x1.0mm
1U48LS1ERA(S) 1U48LS1ERB(S) 1U48LS1EAB(S) 1U48IS1EAB(S) 1U48IS1ERB(S) 1U60IS1ERA(S) 1U60IS1ERB(S) 1U60IS1EAB(S) 1U60IS2EAB(S) 1U60IS2ERB(S)	Liquid pipe	ϕ 9.52x0.8mm
	Gas pipe	ϕ 19.05x1.0mm



- Install the removed flare nuts to the pipes to be connected, then flare the pipes.

3. Limitations for one way piping length and vertical height difference for single split

Model	One way piping length	Vertical height difference (between indoor and outdoor)
1U24GS1ERA 1U28GS2ERA(S) 1U28HS1ERA(S) 1U36HS1ERA(S)	less than 30 m	less than 20 m
1U48LS1ERA(S) 1U48LS1ERB(S) 1U48LS1EAB(S) 1U48IS1EAB(S) 1U48IS1ERB(S) 1U60IS1ERA(S) 1U60IS1ERB(S) 1U60IS1EAB(S) 1U60IS2EAB(S) 1U60IS2ERB(S)	less than 50 m	less than 30 m

Precautions for refrigerant piping

- Do not twist or crush piping.
- Be sure that no dust is mixed in piping.
- Bend piping with as wide angle as possible.
- Keep insulating both gas and liquid piping.
- Check flare-connected area for gas leakage.

Spanner



Joint



Spanner



Nut



4. Piping connection method

- Apply refrigerant oil to the joint and the flange.
- To bend a pipe, give the roundness as possible not to crush the pipe.
- When connecting pipe, hold the pipe centre to centre and then screw nut on by hand, refer to Fig.
- Be careful not to let foreign matters, such as sands enter the pipe.

Pipe diameter	Fastening torque (N.m)
Liquid pipe ϕ 6.35mm	14.2-17.2
Liquid pipe ϕ 9.52mm	32.7-39.9
Gas pipe ϕ 12.7mm	49.5-60.3
Gas pipe ϕ 15.88mm	61.8-75.4
Gas pipe ϕ 19.05mm	97.2-118.6

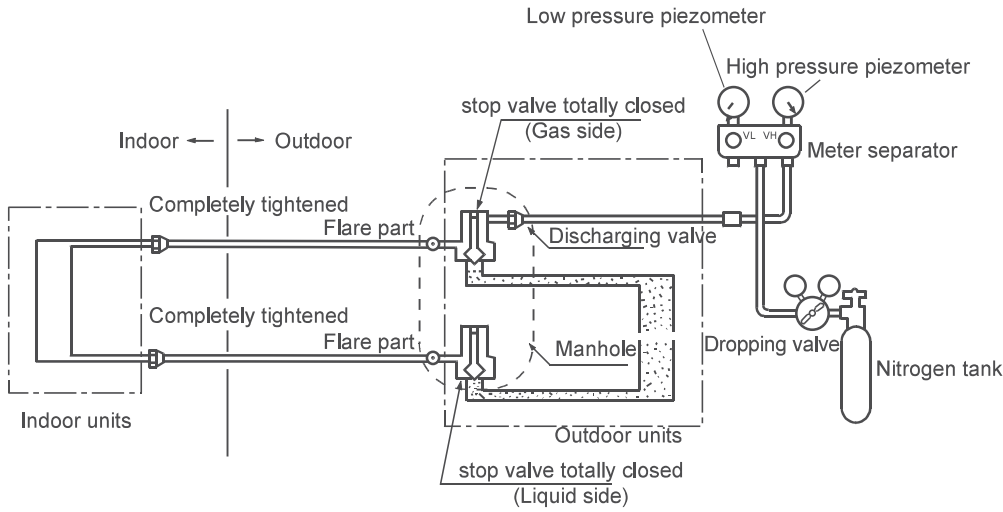
Forced fastening without centering may damage the threads and cause a gas leakage.

5. For the allowable pipe length and height difference for maxi split system, please see the table in the page 2 of this manual.

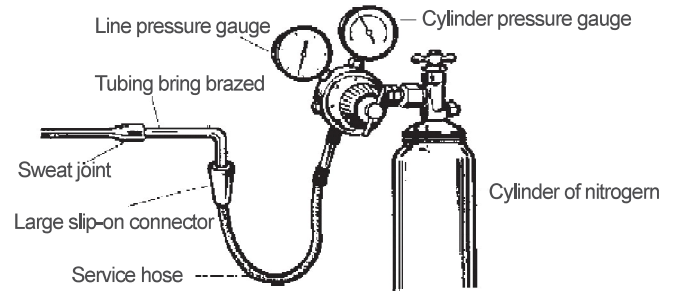
Installation Procedure

After finishing connection of refrigerant pipe, it shall perform air tightness test.

- The air tightness test adopts nitrogen tank to give pressure according to the pipe connection mode as the following figure shown.
- The gas and liquid valve are all in close state. In order to prevent the nitrogen entering the circulation system of outdoor unit, tighten the valve rod before giving pressure (both gas and liquid valve rods).



- 1) Pressurize for over 3 minutes at 0.3MPa (3.0 kg/cm²g).
 - 2) Pressurize for over 3 minutes at 1.5MPa (15 kg/cm²g). A large leakage will be found.
 - 3) Pressurize for about 24 hours at 3.0MPa (30 kg/cm²g). A small leakage will be found.
- Check if the pressure drops
If the pressure does not drop, then pass.
If the pressure drops, then please check the leaking point.



When pressurizing for 24 hours, a variation of 1°C in the ambient temperature will cause a variation of 0.01MPa(0.1kg/cm²g) in pressure. It shall be corrected during test.

- Checking the leaking point
In 1) to 3) steps, if the pressure drops, check the leakage in each joint by listening, touching and using soap water etc. to identify the leaking point. After confirming the leaking point, welding it again or tighten the nut tightly again.

Installation Procedure

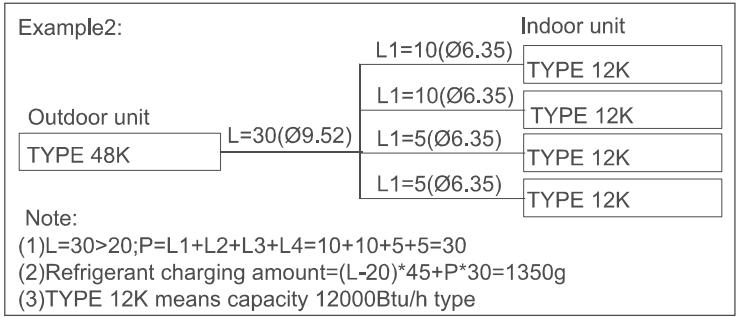
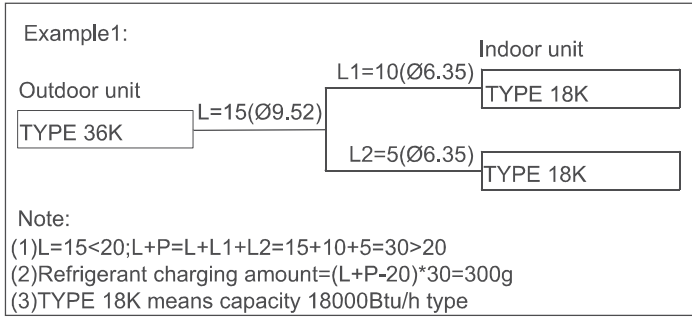
Specification of refrigerant charge for single split and maxi split.

- 1.It is not necessary to charge additionally when the piping length $L+P \leq 20m$.
- 2.Please charge refrigerant additionally according to the following table when the piping length $L+P > 20m$ or need to complete recharge .

	Single Split	Twin		Triple		Quadruple	
Charge(g)	L>20	L≤20, L+P>20	L>20	L≤20, L+P>20	L>20	L≤20, L+P>20	L>20
36K	(L-20)*45	(L+P-20)*30	(L-20)*45+P*30	(L+P-20)*30	(L-20)*45+P*30	—	—
48K	(L-20)*45	(L+P-20)*45	(L+P-20)*45	(L+P-20)*30	(L-20)*45+P*30	(L+P-20)*30	(L-20)*45+P*30
60K	(L-20)*45	(L+P-20)*45	(L+P-20)*45	(L+P-20)*30	(L-20)*45+P*30	(L+P-20)*30	(L-20)*45+P*30
P(m)	P=0	P=L1+L2		P=L1+L2+L3		P=L1+L2+L3+L4	

Remark:

- a.L is the main pipe length of liquid pipe;P is the sum length of branch liquid pipes.
 - b.The piping length L+P means the sum of the main pipe and branch pipes.
- For MAXI system (Twin, Triple, Quadruple), piping length=L+P≠L.
For single split system, L+P=L, because P=0.



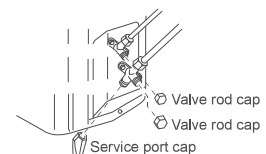
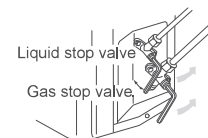
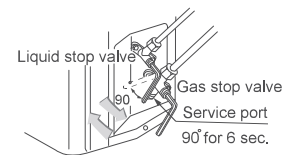
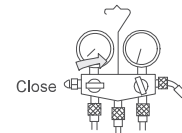
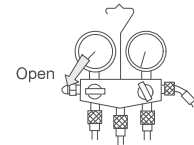
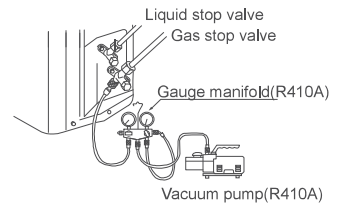
- Only in COOLING operation can charge the additional refrigerant.
- When charging, the refrigerant shall be charged from the charging nozzle of low pressure valve.
- Be carefull when charging refrigerant, do not let the air mix into the system, and must charge the additional refrigerant in liquid state.

Installation Procedure

Vacuumping

Piping vavuum method: to use vacuum pump

1. Detach the service port's cap of gas stop valve, the valve rod's cap for liquid stop valve and gas stop valve, and connect the service port into the projection of charge hose (low) for gaugemanifold. Then connect the projection of charge hose (center) for gaugemanifold into vacuum pump.
2. Open the handle at low in gaugemanifold, and operate vacuum pump. If the scale-moves of gause (low) reach vacuum condition in a moment, check the step 1 again.
3. Vacuumize for over 15min. And check the level gauge which should read - 0.1MPa (-76 cm Hg) at low pressure side. After the completion of vacuumizing, close the handle 'Lo' in the vacuum pump. Check the condition of the scale and hold it for 1-2min. If the scale-moves back in spite of tightening, make flaring work again, then return to the beginning of the step 3.
4. Open the valve rod for the liquid stop valve to an angle of anticlockwise 90 degree. After 6 seconds, close the liquid stop valve and make the inspection of gas leakage.
5. No gas leakage? In case of gas leakage, tighten parts of pipe connection. If leakage stops, then proceed the step 6. If it does not stop gas leakage, discharge whole refrigerants from the service port. After flaring work again and vacuumize, fill up prescribed refrigerant from the gas cylinder.
6. Detach the charge hose from the service port, open liquid stop valve and gas stop valve. Turn the valve rod anticlockwise until hitting lightly.
7. To prevent the gas leakage, turn the service ports cap, the valve rod's cap for liquid stop valve and gas stop valve a little more than the point where the torque increases suddenly.



CAUTION:

If the refrigerant of the air conditioner leaks, it is necessary to make all the refrigerant out. Vacuumize first, then charge the liquid refrigerant into air conditioner according to the amount marked on the nameplate.

WARNING!

DANGER OF BODILY INJURY OR DEATH

- TURN OFF ELECTRIC POWER AT CIRCUIT BREAKER OR POWER SOURCE BEFORE MAKING ANY ELECTRIC CONNECTIONS.
- GROUND CONNECTIONS MUST BE COMPLETED BEFORE MAKING LINE VOLTAGE CONNECTIONS.

Precautions for Electrical wiring

- Electrical wiring work should be conducted only by authorized personnel.
- Do not connect more than three wires to the terminal block. Always use round type crimped terminal lugs with insulated grip on the ends of the wires.
- Use copper conductor only.

Selection of size of power supply and interconnecting wires

Select wire sizes and circuit protection from table below. (This table shows 20 m length wires with less than 2% voltage drop.)

Item Model	Phase	Circuit breaker		Power source wire size (minimum) (mm ²)	Earth leakage breaker	
		Switch breaker (A)	Overcurrent protector rated capacity (A)		Switch breaker(A)	Leak current(mA)
1U24GS1ERA 1U28GS2ERA(S) 1U28HS1ERA(S) 1U36HS1ERA(S) 1U48LS1ERA(S) 1U60IS1ERA(S)	1	40	30	6.0	40	30
1U48LS1EAB(S) 1U48LS1ERB(S) 1U48IS1EAB(S) 1U48IS1ERB(S) 1U60IS1EAB(S) 1U60IS1ERB(S) 1U60IS2EAB(S) 1U60IS2ERB(S)	3	30	20	4.0	30	30

- If the supply cord is damaged, it must be replaced by the manufacturer or its service agent or a similar qualified person.
- If the fuse of control box is broken, please change it with the type of T25A/450VAC;
- If the fuse of control PC board is broken, please change it with the type of T3.15A/250VAC. But for 1U24GS1ERA, 1U28GS2ERA(S), 1U28HS1ERA(S), 1U36HS1ERA(S), 1U48LS1ERA(S), 1U48LS1ERB(S), 1U48IS1ERB(S), 1U60IS1ERA(S), 1U60IS1ERB(S), the type is T6.3A/250VAC.
- The wiring method should be in line with the local wiring standard.
- The power cable and connecting cable should be self-provided.
- All the cables shall have got the European authentication certificate. During installation, when the connecting cables break off, it must be assured that the grounding wire is the last one to be broken off.
- The breaker of the air conditioner should be all-pole switch; and the distance between its two contacts should not be no less than 3mm. Such means for disconnection must be incorporation in the fixed wiring.
- The distance between its two terminal blocks of indoor unit and outdoor unit should not be over 5m. If exceeded, the diameter of the wire should be enlarged according to the local wiring standard.
- A leakage breaker must be installed.

The specification of power cable

For models 1U24GS1ERA, 1U28GS2ERA(S), 1U28HS1ERA(S), 1U36HS1ERA(S), 1U48LS1ERA(S), 1U60IS1ERA(S), 1U60IS2ERB(S) the power cable should be H05RN-F 3G 6.0mm².

For models 1U48LS1EAB(S), 1U48IS1EAB(S), 1U60IS1EAB(S), 1U48LS1ERB(S), 1U48IS1ERB(S), 1U60IS1ERB(S), 1U60IS2EAB(S) the power cable should be H07RN-F 5G 4.0mm².

Wiring procedure

- 1) Remove set screws on the side before taking off the front panel toward the direction.
- 2) Connect wires to the terminal block correctly and fix the wires with a wire clamp equipped nearby the terminal block.
- 3) Route the wires in a proper way and penetrate the wires through the opening for electrical wiring on the side panel.

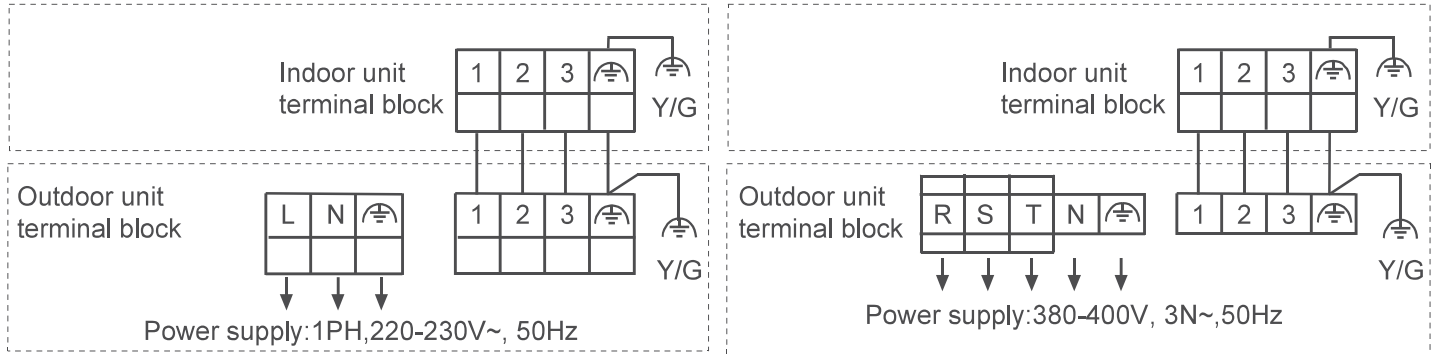
WARNING:

INTERCONNECTING WIRES MUST BE WIRED ACCORDING TO FIGURE BELOW. INCORRECT WIRING MAY CAUSE EQUIPMENT DAMAGE.

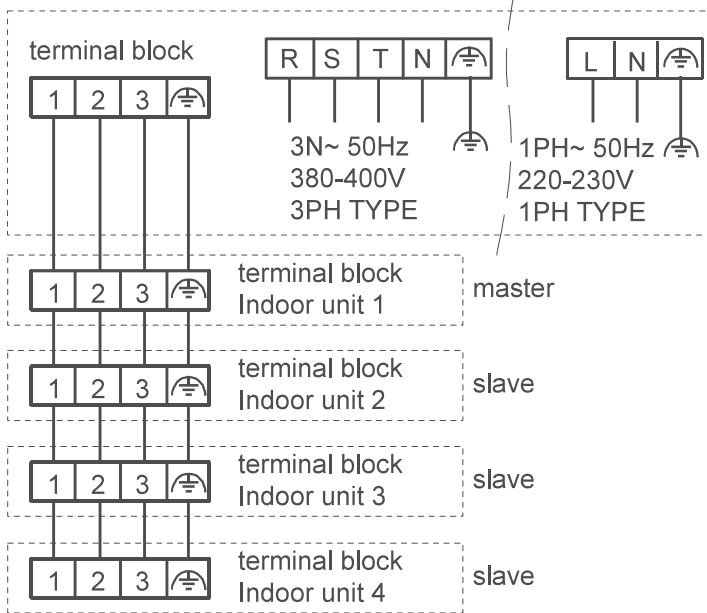
SINGLE SPLIT SYSTEM UNITS WIRING DIGRAM

1U24GS1ERA 1U28GS2ERA(S) 1U28HS1ERA(S)
1U36HS1ERA(S) 1U48LS1ERA(S) 1U60IS1ERA(S)

1U48LS1ERB(S) 1U48LS1EAB (S) 1U48IS1EAB(S)
1U48IS1ERB(S) 1U60IS1ERB(S) 1U60IS1EAB(S)
1U60IS2EAB(S) 1U60IS2ERB(S)



MAXI SPLIT SYSTEM UNITS WIRING DIGRAM



Note:
 1. The master is the indoor unit which connect to a wired controller, others are slaves, please purchase wired controller separately for MAXI system.
 2. For one MAXI split system there is only one master.
 3. For the MAXI system with 2 or 3 indoor units, the wiring method is the same with the diagram on the left except for the indoor units quantity.
 4. Make sure that the wire connection for all units in MAXI system OK before running.

Installation Procedure

CAUTION!

- THIS UNIT WILL BE STARTED INSTANTLY WITHOUT "ON" OPERATION WHEN ELECTRIC POWER IS SUPPLIED. BE SURE TO EXECUTE "OFF" OPERATION BEFORE ELECTRIC POWER IS DISCONNECTED FOR SERVICING.
- This unit has a function of automatic restart system after recovering power stoppage.

1. Before starting test run (for all Heat pump models)

Confirm whether the power source breaker (main switch) of the unit has been turned on for over 12 hrs to energize the crankcase heater in advance of operation.

2. Test run

Run the unit continuously for about 30 minutes, and check the following.

- Suction pressure at check joint of service valve for gas pipe.
- Discharge pressure at check joint on the compressor discharge pipe.
- Temperature difference between return air and supply air for indoor unit.

Troubleshooting

1U24GS1ERA /1U28GS2ERA(S)

Flash times of LED on	Trouble description	Analyze and diagnose
1	Eeprom failure	Outdoor main board eeprom fail
2	IPM failure	IPM failure
4	Communication error between main board and spdu module SPDU communication	Communication fail over 4 min
5	High pressure protection	System high pressure over 4.15 Mpa
6	Module over-voltage protection (only for Spdu)	Send from Spdu module
8	Compressor discharging temperature	Compressor discharging temperature over 110 centigrade
9	Abnormal of DC motor	Jam of DC motor or motor failure
10	Abnormal of piping sensor	Piping sensor short-circuit or open-circuit
11	Suction temperature sensor failure	Suction temperature sensor short-circuit or open-circuit or the compressor connection is poor
12	Abnormal of outdoor ambient sensor	Outdoor ambient sensor short-circuit or open-circuit
13	Abnormal of compressor discharge sensor	Compressor discharge sensor short-circuit or open-circuit
15	Communication error between indoor and outdoor unit	Communication fail over 4 min
16	Lack of refrigerant	Check if there is leakage in the unit
17	4-way valve reverse failure	Alarm and stop if detect $Td-Tci \leq 15$ last for 1 min after compressor has started for 10 min in heating mode, confirm the failure if it appears 3 times in one hour.
18	Compressor jam (only for spdu)	Inner compressor is abnormal jamed
19	Module PWM select circuit error	Module PWM select wrong circuit
25	Compressor U-phase over-current	The current of compressor U-phase is too high
25	Compressor V-phase over-current	The current of compressor V-phase is too high
25	Compressor W-phase over-current	The current of compressor W-phase is too high

Troubleshooting

1U28HS1ERA(S)/1U36HS1ERA(S)/1U48LS1ERA(S)/1U48LS1ERB(S)/1U48IS1ERB(S)/1U60IS1ERA(S)/1U60IS1ERB(S)/1U60IS2ERB(S)

Flash times	Trouble Description	Analyze and diagnose	Remark
1	EEPROM faulty		Non-resumable resumable
2	Over current protection in course of compressor frequency going down detected by software	If it occurs 3 times in 1 hour, confirm the failure, the former twice will not alarm	Non-resumable
3	protection of over current in course of compressor fixed speed operation	Module abnormal, if it occurs 3 times in 1 hour, confirm the failure	resumable
4	Communication abnormal between connecting board and module	It can not get the feedback from module after communicating for 4 minutes	Non-resumable
5	Compressor overcurrent	If it occurs 3 times in 1 hour, confirm the failure, the former twice will not alarm	Non-resumable
7	Compressor blocked or abnormal operation	If it occurs 3 times in 1 hour, confirm the failure, the former twice will not alarm	Non-resumable
8	Protection of discharging temp. too high	After compressor starts up, if TD is over 115°C, 10 seconds later compressor stops, if it occurs 3 times in 1 hour, confirm the failure	Non-resumable
9	DC fan motor faulty	If it occurs 3 times in 1 hour, confirm the failure, the former twice will not alarm	Non-resumable
10	Outdoor defrosting temp. sensor abnormal	Sensor is detected below 20 or over 1000 for 60 seconds, but in cooling mode, this sensor failure will not be dealt with, and in defrosting or within 6 minutes after defrosting, it will not alarm	resumable
11	Suction temp.sensor abnormal	Sensor is detected below 20 or over 1000 for 60 seconds, but in defrosting or within 6 minutes after defrosting, it will not alarm	resumable
12	Ambient temp. sensor abnormal	Sensor is detected below 20 or over 1000 for 60 seconds, but in defrosting or within 6 minutes after defrosting, it will not alarm	resumable
13	Discharging temp. sensor abnormal	After compressor running for 3 minutes, Sensor is detected below 20 or over 1000 for 60 seconds	resumable
15	Communication between indoor and outdoor abnormal	Indoor unit can not be inspected for 4 minutes continuously or indoor slave unit malfunction in MAXI split system	resumable
16	Lack of refrigerant or discharging pipe blocked	If it occurs 3 times in 1 hour, confirm the failure	Non-resumable
17	4-way valve converse abnormal	If it occurs 3 times in 1 hour, confirm the failure	Non-resumable
18	Over current in course of compressor frequency going down	If it occurs 3 times in 1 hour, confirm the failure, the former twice will not alarm	Non-resumable
19	Over current protection in course of compressor fixed speed operation detected by software	If it occurs 3 times in 1 hour, confirm the failure, the former twice will not alarm	Non-resumable
23	Module temp. too high or module temp.sensor abnormal	If it occurs 3 times in 1 hour, confirm the failure, the former twice will not alarm	Non-resumable
24	Over current in course of compressor detection by software	If it occurs 3 times in 1 hour, confirm the failure, the former twice will not alarm	Non-resumable
27	Without connection to compressor	If it occurs 3 times in 1 hour, confirm the failure, the former twice will not alarm	Non-resumable
28	High voltage protection for module	From module board	resumable
29	Low voltage protection for module	From module board	resumable
38	Communication abnormal among modules	It can not detect the input signal for 2 minutes	resumable
39	Mid-condenser temp. sensor abnormal	Sensor is detected below 20 or over 1000 for 60 seconds, but in defrosting or within 6 minutes after defrosting, it will not alarm	resumable
43	Low pressure switch abnormal	After compressor running for 3 minutes, if switch is detected unconnected for 30seconds, it alarms, if it occurs 3 times in 1 hour, confirm this failure, if it occurs 3 times in 1 hour, confirm the failure, but in defrosting or within 6 minutes after defrosting, it will not alarm	Non-resumable
44	High pressure switch abnormal	After compressor running for 3 minutes, if switch is detected unconnected for 30seconds, it alarms, if it occurs 3 times in 1 hour, confirm this failure, or if TCM is over 68 degree for 10 seconds for 3 times	Non-resumable

Note: The flash times of outdoor mainboard(ECU) LED1 indicates the malfunction code. for example, LED1 flash 3 times, the malfunction code is 3.The flash times or malfunction code of indoor unit can also indictes the malfunction code too.the method to confirm please refer to indoor unit manual.

Troubleshooting

1U48LS1EAB(S)/1U48IS1EAB(S)/1U60LS1EAB(S)/1U60IS2EAB(S)

Malfunction Code	Malfunction Name	Cause Analysis	Remark
1	EEPROM malfunction	EE error	Unrecoverable
3	Compressor current too high/Phase order detecting malfunction	Overcurrent error during compressor operating or power phase order error before the compressor is started up. If 3 successive malfunctions occur within 60 minutes, it will be locked and a malfunction will be reported	Unrecoverable
6	Power voltage high/low malfunction	Power voltage is too high or too low (being higher than 270V for 2 seconds or lower than 187V for 2 seconds); if this phenomenon occurs 3 times within 30 minutes, the system will shut down and a malfunction will be reported	Recoverable
8	Over discharge temperature (°C) protection	Discharge temperature is detected to be higher than 120°C after the compressor has been started for 2 minutes. If the discharge temperature is detected to be higher than 120°C 3 times within a successive 60 minutes, the system will shut down and malfunction is reported. It will be recovered after the power is off.	Unrecoverable
9	DC fan abnormal	DC fan abnormal	Unrecoverable
10	Te defrosting resistor abnormal or Te temperature too high	Sensor resistance is detected to be less than 20 or more than 1000 within a successive 60 seconds; or the temperature of outdoor unit's coil is detected to be too high (exceeding 68°C for 3 seconds or exceeding 63°C for 20 seconds) by the defrosting sensor	Recoverable
11	Ts inspiratory resistor abnormal	Sensor resistance is detected to be less than 20 or more than 1000 within a successive 60 seconds, but this malfunction is not reported while defrosting or within 6 minutes after defrosting	Recoverable
12	Ta environmental resistor abnormal	Sensor resistance is detected to be less than 20 or more than 1000 within a successive 60 seconds, but this malfunction is not reported while defrosting or within 6 seconds after defrosting	Recoverable
13	Td expiratory resistor abnormal	Sensor resistance is detected to be less than 20 or more than 1000 within successive 60 seconds after the compressor has been started up for 3 minutes	Recoverable
15	Bad communication with indoor unit	No indoor unit communication data is detected for a successive 4 minutes	Recoverable
16	Low pressure protection (Lack of fluorine protection)	In refrigeration mode, the compressor operates for 40 minutes after it has been started up for 5 minutes. If the internal coil temperature still can not be reduced to below 25°C, the system will shut down, and lack of fluorine malfunction is reported	Unrecoverable
17	Four-way heating valve switching abnormal	Four-way valve switching abnormal.	Unrecoverable
25	Compressor current too low; unbalanced two current phases	Current too low or phase current unbalanced during compressor operating. If 3 successive malfunctions occur within 60 minutes, it will be locked and a malfunction will be reported	Unrecoverable
42	High pressure switch	After the compressor has been started up for 3 minutes and the testing pressure switch is turned off for 30 seconds, the system will shut down; if it is successively turned off for 3 times within 60 minutes, the system will shut down and malfunction is reported. However, this malfunction is not reported while defrosting or within 6 minutes after defrosting	Unrecoverable
43	Low pressure switch	After the compressor has been started up for 3 minutes and the testing pressure switch is turned off for 30 seconds, the system will shut down; if it is successively turned off for 3 times within 60 minutes, the system will shut down and malfunction is reported. However, this malfunction is not reported while defrosting or within 6 minutes after defrosting	Unrecoverable



Haier

Address: Haier Industrial Park, Qianwangang Road, Eco-Tech Development Zone, Qingdao 266555, Shandong, P.R.C.

Contacts: TEL +86-532-88936943; FAX +86-532-8893-6999

Website: www.haier.com